

Cabinet U-Handles

Aluminum

SPECIFICATION

Types

- Type **A**: Mounting from the back (threaded blind bore)
- Type **B**: Mounting from the operator's side

Aluminum

- Powder coated
 - Black, RAL 9005, textured finish **SW**
 - Silver, RAL 9006, textured finish **SR**
- Plain finish, tumbled **BL**



INFORMATION

Cabinet U-handles GN 328 have excellent stability and ergonomic design. The finger recesses on the underside of the handle provide a specially comfortable grip.

In particular in combination with the larger cabinet U-handles GN 428 (see page 445), they meet the requirements of modern industrial design.

ON REQUEST

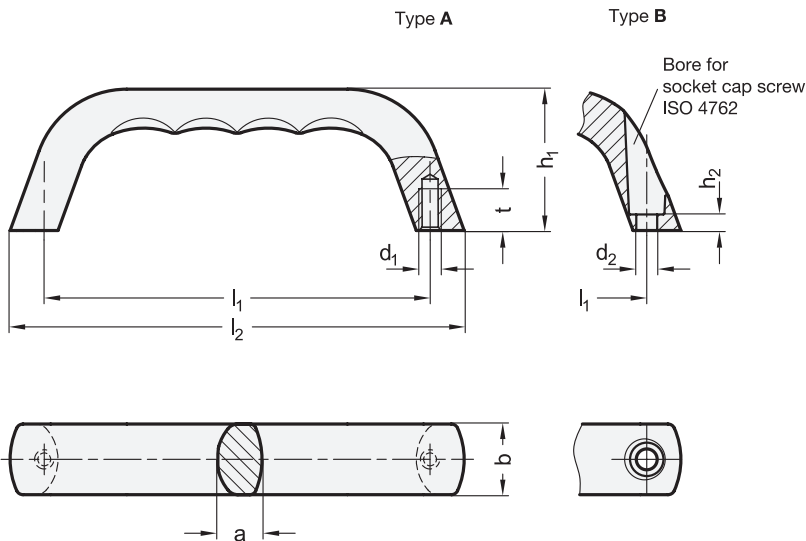
- Other finishes

TECHNICAL INFORMATION

- Load Rating Information (see page A35)



reddot design award



* Complete with

SW RAL9005
 SR RAL9006
 BL Plain finish

GN 328-A

Description	l_1	a	b	d_1	h_1	l_2	t	Δ
GN 328-120-A-*	120	14	22	M 6	44	141.2	13	112
GN 328-140-A-*	140	18	28	M 8	55	166.5	17	210

GN 328-B

Description	l_1	a	b	d_2	h_1	h_2	l_2	Δ
GN 328-120-B-*	120	14	22	6.5	44	5	141.2	101
GN 328-140-B-*	140	18	28	8.5	55	6	166.5	185

Weight SW